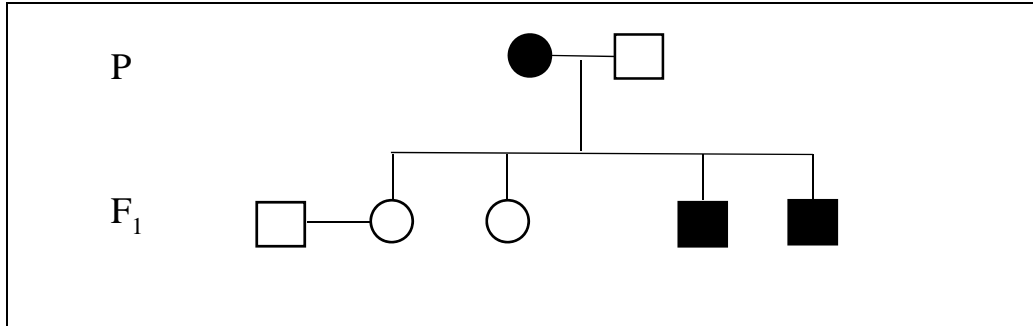


VLA Basic Biology: Unit 26 Worksheet

1. Draw the symbol used in a pedigree for a female with a trait. _____



2. Draw the symbol used in a pedigree for a male without a trait. _____
3. Using the pedigree above, how many total males are in the pedigree? _____
4. Using the pedigree above, how many total females are in the pedigree? _____
5. Using the pedigree above, how many offspring did the parents have? _____
6. Using the pedigree above, how many individuals were added to this pedigree from another pedigree? _____
7. If the pedigree above is of an autosomal recessive trait ($A = \text{dominant}$, $a = \text{recessive}$), what would be the genotypes of all the darkened symbols? _____
8. If the pedigree above is of a sex-linked recessive trait ($A = \text{dominant}$, $a = \text{recessive}$), what would be the genotype of the mother in the P generation? _____